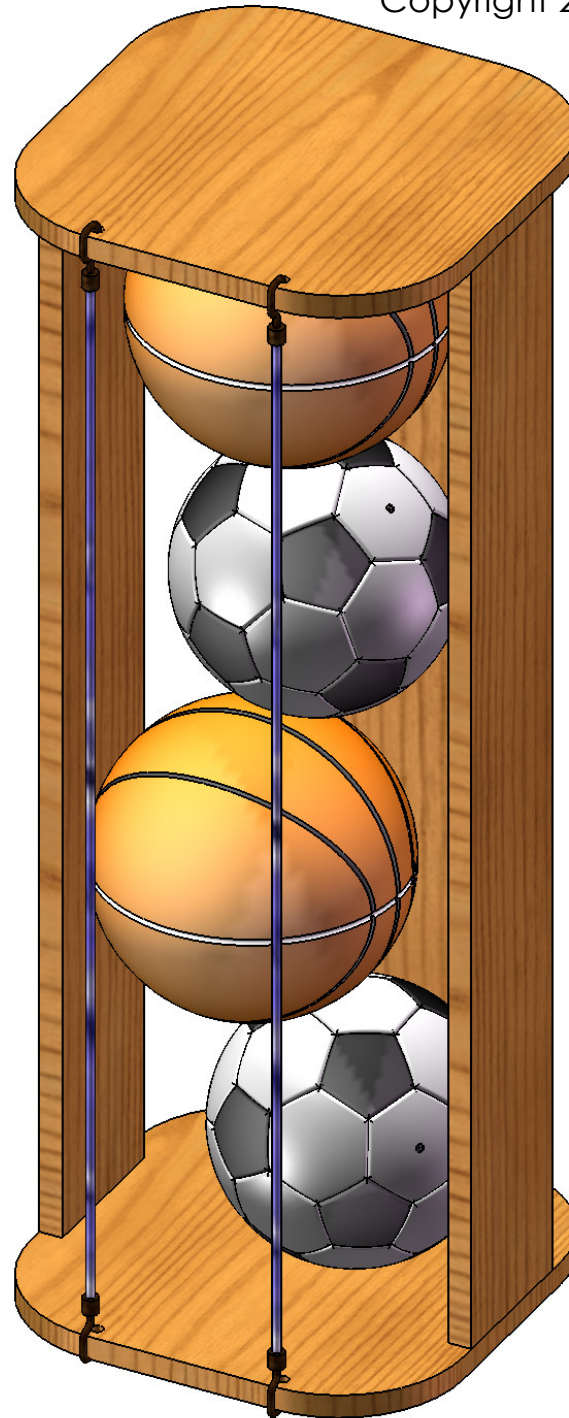


# Garage Ball Organizer

This project is easily built with simple tools and left over scraps of wood.

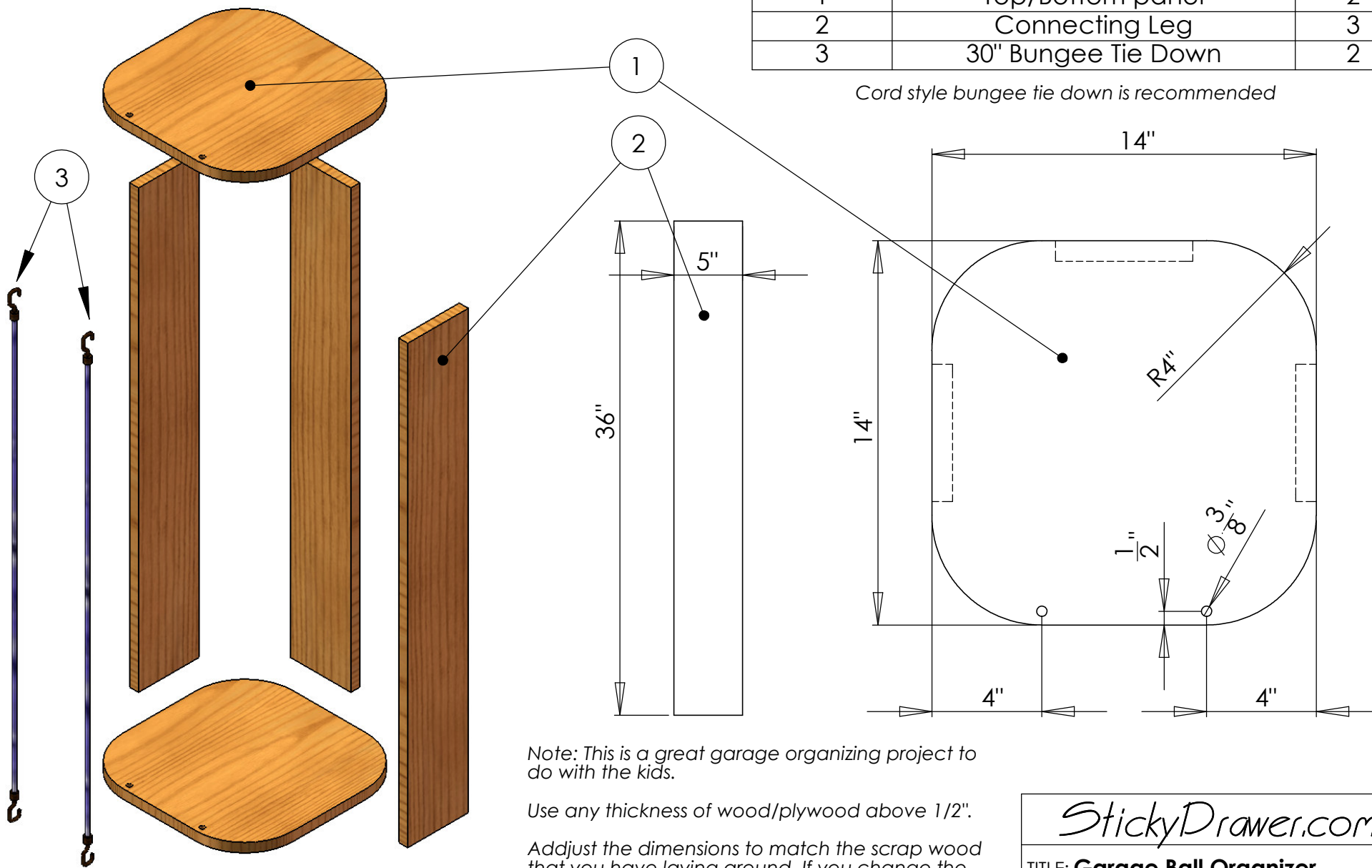
Check out the power tools available on our Sponsor's site [Rockler.com](http://Rockler.com)



|                                     |                 |              |
|-------------------------------------|-----------------|--------------|
| <i>StickyDrawer.com</i>             |                 |              |
| TITLE: <b>Garage Ball Organizer</b> |                 |              |
| SIZE <b>A</b>                       | DWG. NO. 30-100 | REV. A       |
| SCALE: 1:5.5                        |                 | SHEET 1 OF 2 |

| ITEM NO. | DESCRIPTION         | QTY. |
|----------|---------------------|------|
| 1        | Top/Bottom panel    | 2    |
| 2        | Connecting Leg      | 3    |
| 3        | 30" Bungee Tie Down | 2    |

*Cord style bungee tie down is recommended*



*Note: This is a great garage organizing project to do with the kids.*

*Use any thickness of wood/plywood above 1/2".*

*Adjust the dimensions to match the scrap wood that you have laying around. If you change the leg length, make sure to change the bungee length. The bungee should be a few inches smaller than the leg length.*

*StickyDrawer.com*

**TITLE: Garage Ball Organizer**

|               |                 |              |
|---------------|-----------------|--------------|
| SIZE <b>A</b> | DWG. NO. 30-100 | REV. A       |
| SCALE: 1:8    |                 | SHEET 2 OF 2 |